



XRB Air Cleaners
A COMPACT, RADIAL SEAL,
TWO-STAGE AIR CLEANER



Donaldson XRB Air Cleaners effectively reduce contaminants flowing into the air intake system, provide a high level of engine protection from harmful contaminants and increase engine performance and fuel efficiency.

The Donaldson XRB air cleaner family is smaller in size compared to competitive models with similar airflow operating ranges.

The XRB's plastic housing and durable construction enables installation in all types of operating environments and temperature ranges.

The XRB08 models have non-metal primary and safety filters. The primary filters for the XRB10 and XRB12 models have metal outer liners.

Applications

Off-road equipment operating in medium-dust conditions with engine airflow range of 265 to 630 cfm (7.5 to 17.8 m3/min)

Installs horizontally.

Sustained temperature tolerance: -40° to 180°F / -40° to 82°C. Do not install next to components that exceed the maximum temperature (180°F / 82°C); like a turbocharger, muffler, exhaust pipe or other high temperature component.

Air Cleaner Features

Smaller in diameter compared to competitive brands with similar airflow

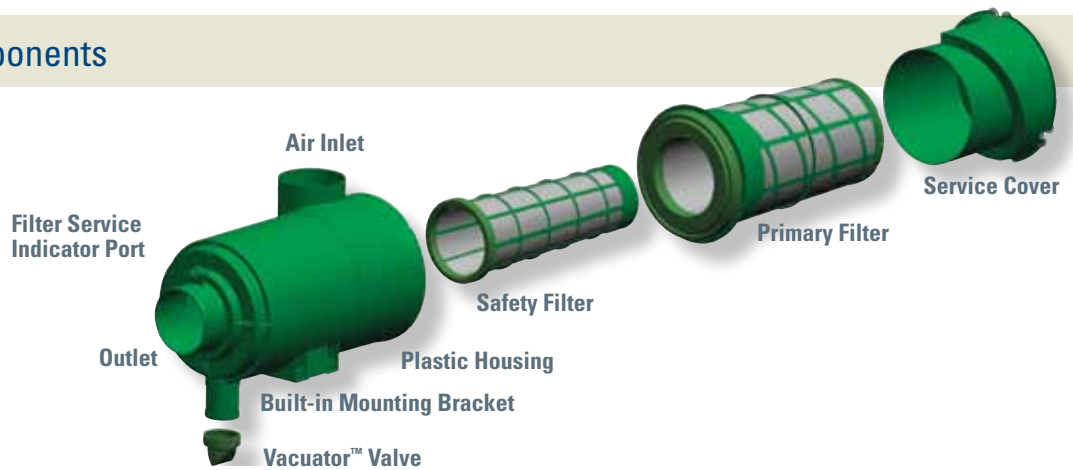
Improved handling and maintenance: lighter and smaller, changing filters is a snap

Cover latch position allows for minimum service clearance and eases filter service

Mounting brackets built-in to air cleaner body eliminating need for mounting bands

Standard (stock) housings include: primary filter; safety filter; filter service indicator port

XRB08 Components



XRB10 & XRB12 Components



XRB Air Cleaner Selection, Dimensions & Installation Recommendations

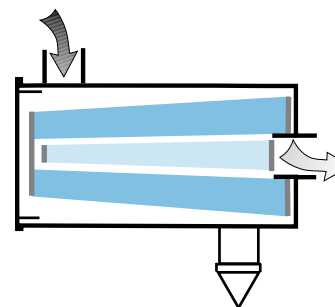
Determine the airflow requirements of your engine, then find the corresponding initial airflow in the table at right. The restriction numbers indicate the approximate initial restriction of each model air cleaner at a low, medium and high rating. If there are two air cleaner models that fit your parameters, choose the one with the lowest restriction for longer filter service life. When calculating total initial restriction of the entire air intake system, include the restriction caused by ducting, elbows, pre-cleaners, etc.

Initial Airflow Restriction

	Initial Airflow			Model
	6"	8"	10"	
CFM @ H ₂ O	265	315	360	B080080
m ³ /min	7.2	8.9	10.2	
CFM @ H ₂ O	330	405	475	B100127
m ³ /min	9.3	11.5	13.4	
CFM @ H ₂ O	475	555	630	B120470
m ³ /min	13.4	15.7	17.8	

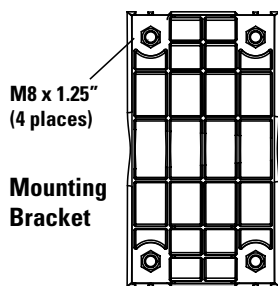
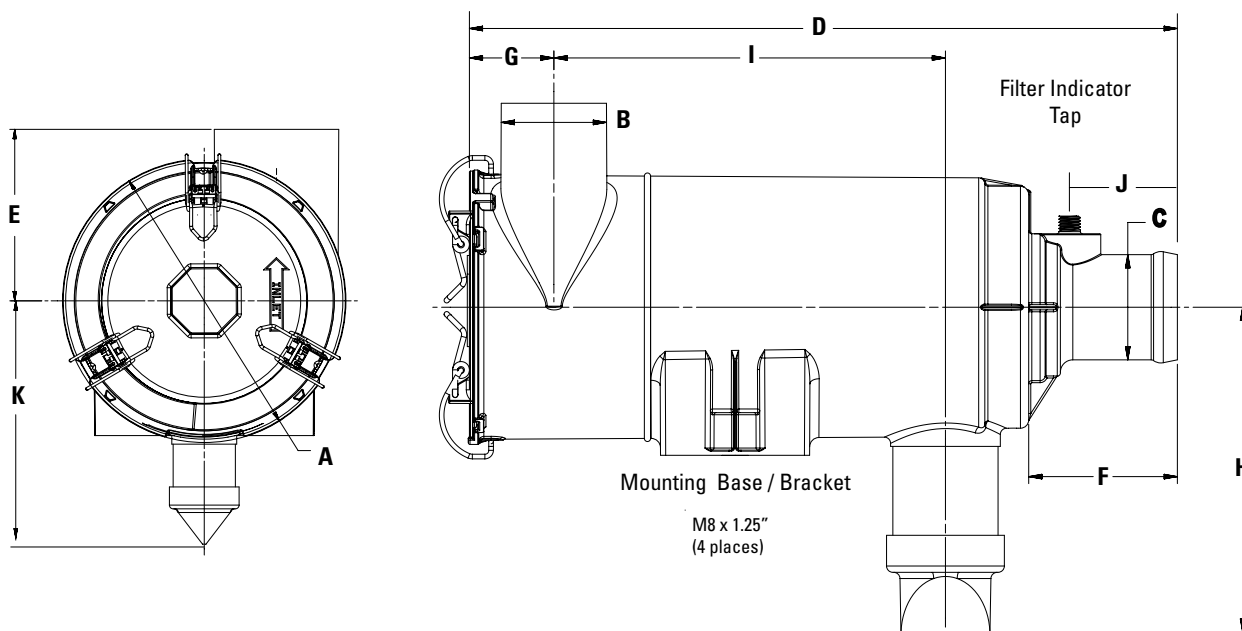
Airflow Pattern "B"

Air in the side, out the end



Dimensional Specifications

Air Cleaner Models	Body Dia. (1)	Inlet Dia. (B)	Outlet Dia. (C)	Housing Length (D)	Inlet Height (E)	Outlet Length (F)	Inlet Location (G)	Center Line to Valve (H)	Service Clear. (I)	Weight	Restr. Tap Loc. (J)	Mounting Bracket Height (K)
B080080	9.11"	4.00"	4.00"	16.75"	5.50"	2.40"	3.14"	7.78"	14.76"	5.52lb	1.57"	4.33"
	231.3mm	102mm	102mm	425mm	140mm	61mm	80mm	198mm	375mm	2.5kg	40mm	110mm
B100127	11.31"	5.00"	4.50"	22.25"	7.80"	2.82"	3.47"	8.85"	19.41"	13.00lb	1.97"	5.71"
	287mm	127mm	114mm	565mm	198mm	72mm	88mm	225mm	493mm	5.95kg	50mm	145mm
B120470	13.00"	6.00"	5.00"	23.68"	8.58"	2.81"	3.95"	9.63"	20.71"	20.00lb	1.97"	6.50"
	330mm	152mm	128mm	601mm	218mm	71mm	100mm	245mm	526mm	9.07kg	50mm	165mm



Installation Recommendations

- Air cleaner orientation is horizontal, with the drop tube pointing down - within +/- 15°. For service clearance, allow the entire length of the filter for removal and 1.38" (35mm) for service cover latches.
- Mounting is M8 x 1.25 (4 places), with a maximum torque of 15 ft. lbs.
- Connections: Inlet/outlet maximum torque 40 in. lbs.
- Inlet accessory note: The air cleaner housing can accommodate a lightweight inlet hood, but not a pre-cleaner or any other accessory. Use of an unapproved intake accessory will void your Donaldson warranty.
- Filter Service Indicator port arrives with plug/cap. Order filter service indicator separately. Indicator port maximum torque 1.5 ft. lbs.

Air Cleaner Service

Est. Service Time

15 minutes or less (primary)

20 minutes or less (primary & safety filter)

Basic Service Procedure

1. Unlatch and remove service cover
2. Remove the primary filter
3. Clean the inside surface
4. Check the safety filter. Replace every third primary filter change
5. Inspect the new filter(s)
6. Install the new filter(s)
7. Replace the cover & refasten the latches
8. Inspect the intake system

XRB Service Parts

B080080 Assembly



coverP605731
 filter, primary (non metal).....P611190
 filter, safety.....P611189
 Vacuator™ Valve.....P158914

B100127 Assembly



coverP609942
 filter, primary (metal liner)P611539
 filter, safety.....P611540
 Vacuator™ Valve.....P158914

B0120470 Assembly



coverP608117
 filter, primary (metal liner)P608116
 filter, safety.....P608391
 Vacuator™ Valve.....P158914

Don't Forget to Accessorize!

Mount or install an air cleaner

- Straight Pipe
- Rubber Elbows and Connectors
- Clamps
- Aluminum Tubing
- Rubber and Silicone Hump / Reducers
- Charge Air Connectors

Solve air intake water problems

- In-line Moisture Skimmer
- In-line Moisture Separator
- Stack Top Moisture Eliminator

Protect air inlet from debris

- Inlet Hoods

Aspirate (or scavenge) an intake system

- Exhaust Ejectors
- Air Stack Extension
- Ejector Check Valve

Improve dust evacuation from Vacuator™ Valves

- Dust Dumpa

Service by restriction

Replacing filters based on restriction readings can reduce your maintenance costs. Choose from a variety of devices: Go/No Go, continuous reading, electric, in-field manometers



Need a New Intake System for Older Equipment!

The XRB family of air cleaners may also be an ideal upgrade or replacement to older Donaldson air cleaner models; i.e., FPG, FHG, FWG or FRG. Newer air cleaners are lighter weight, include improved sealing and easier access for service. If your equipment has an older model with a diameter range of 7-13" / 178-330 mm, one of the XRB models might be of interest to replace a damaged housing or retrofit for better filtration performance.



Donaldson Company, Inc.
 PO Box 1299
 Minneapolis, MN
 55440-1299

www.donaldson.com

North America 800-374-1374
 Mexico +52-449-910-6150
 Latin Am. & Caribbean +52-449-910-6150
 Brazil +55-11-2119-1604
 Europe +32-16-38-3811
 South Africa +27-11-997-6000

South East Asia 65-6311-7373
 Greater China 852-2405-8388
 Japan 81-42-540-4112
 Australia 61-02-4350-2033
 India +91-124-2290060

Brochure No. F111281 (08/09)

© 2009 Donaldson Company, Inc. Donaldson Company, Inc. reserves the right to change or discontinue any model or specification at any time and without notice. Printed in the U.S.A.